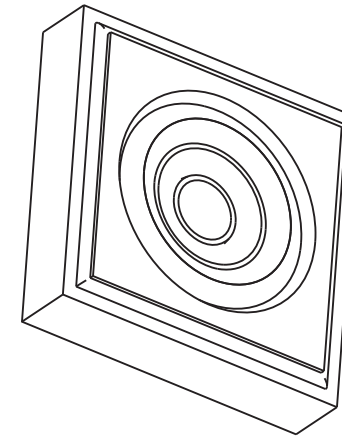
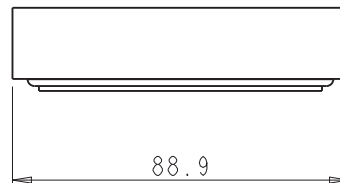
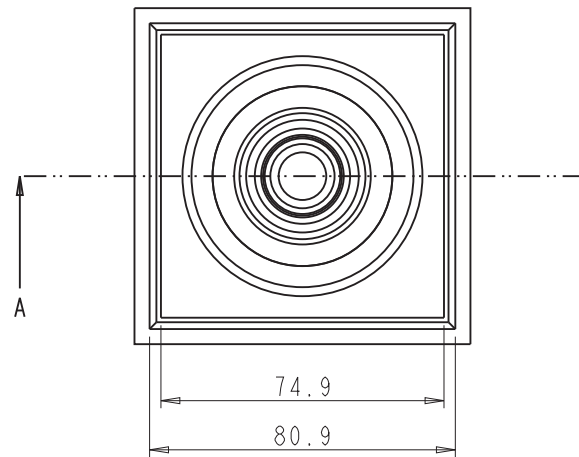


SECTION A-A



<p>PROPRIETARY AND CONFIDENTIAL</p> <p>THE INFORMATION CONTAINED IN THIS DRAWING IS THE SOLE PROPERTY OF HARDWARE RESOURCES INC. ANY REPRODUCTION IN PART OR AS A WHOLE WITHOUT THE WRITTEN PERMISSION OF HARDWARE RESOURCES INC. IS PROHIBITED.</p>	ITEM:	ROS5		MATERIAL:	WOOD
	FINISH:			WEIGHT:	0.000 g
	<p>PROJECTION</p>			DATE:	05-08-15
	<p>UNITS: MM</p> <p>SIZE: A4</p> <p>SHEET: 1 OF 1</p>			<p>DRAWN BY: <i>Hugo.cai</i></p> <p>APPROVED BY:</p> <p>RELEASE LEVEL:</p>	DATE:
<p>DO NOT SCALE DRAWING</p>			<p>TOLERANCE UNLESS OTHERWISE SPECIFIED:</p> <p>X ±0.20</p> <p>X.X ±0.10</p> <p>X.XX ±0.05</p> <p>ANGULAR: ±0.5°</p>	<p>DATE:</p>	<p>REVISION:</p>